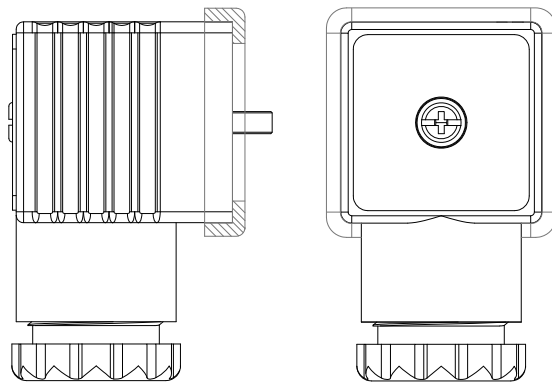
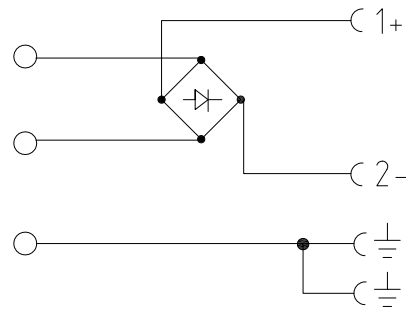
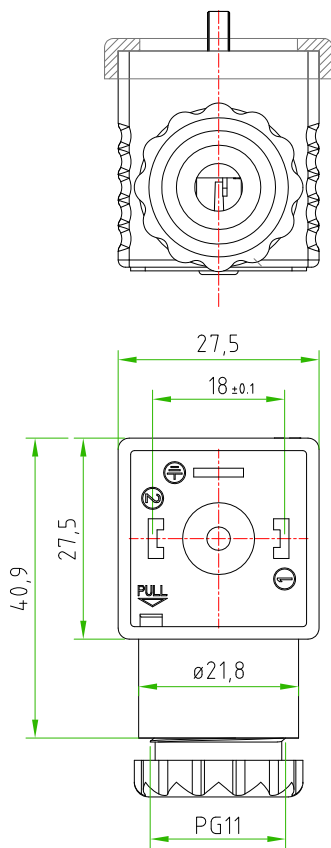
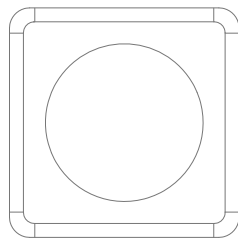


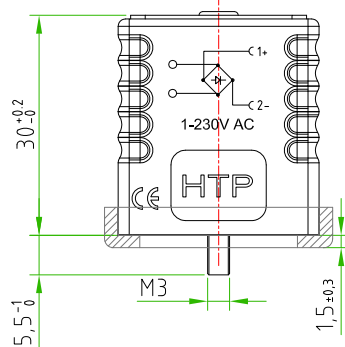
Rev.	Modify	Date	Firma	Approved

Rev.	Modify	Date	Firma	Approved

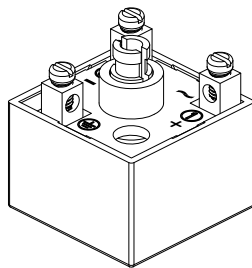
Rev.	Modify	Date	Signed	Approved
01	-	2018.04.18	SUGLIANI CIMMINO	CIMMINO
02	-	2020.07.20	SUGLIANI CIMMINO	CIMMINO



REV.02



PAY ATTENTION:
MUST BE USED THE SPECIAL INTERNAL
CORE FOR ELECTRONIC WITH BRIDGE
RECTIFIER



PRODUCT TYPE	EN175301-803 FORM A FIELD ATTACHABLE.
HOUSING MATERIAL /COLOUR	PA66 /BLACK
PRESS-CABLE MATERIAL /COLOUR	PA66 /BLACK
INTRENAL CORE MATERIAL /COLOUR	PA66 /BLACK
HEIGHT HOUSING	30mm
CONTACTS SPACING	18mm
CONTACTS TYPE	TOWER CONTACTS
NUMBER OF POLES	2POLES+EARTH
EARTH POSITIONING	H.12 (TURNABLE)
CABLE EXIT	PG9/11 UNIFIED
SUITABLE CABLE	FROM ø6mm TO ø10mm
MAX.CONDUCTOR SIZE	1,5mm ²
PROTECTION CLASS	IP67
CIRCUIT TYPE	BRIDGE RECTIFIER(1A) N°1 BRIDGE RECTIFIER: DB107S
RATED VOLTAGE	REV.02 1-230V AC
CONNECTOR TEMPERATURE RANGE	from -40°C to +90°C
GASKET TYPE	PROFILED NBR
FIXING SCREW	M3X0,5 L=32,5mm
CONNECTOR WITH H.T.P. LOGO	

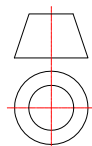
CUSTOMER APPROVAL

SIGNATURE DATE

PLEASE SIGN
AND RETURN

A4

Designer	SUGLIANI R.	Date	2017-11-15	Tolerance	±0,2	Units:	mm	Series	EN175301-803 (form A)	Drawing n.	
Approved	CIMMINO L.	Date	2017-11-15	Scale	1:1	Size:	A4	Customer code:			1/1



DESCRIPTION
SQUARE CONNECTOR EN175301-803 FORM A, FIELD ATTACHABLE, 2P. +PE,
WITH BRIDGE RECTIFIER(1A) , 230V AC, BLACK HOUSING, PG9/11 unified.
CONNECTOR WITH H.T.P. LOGO.

H.T.P.PART NUMBER

G1NU2R03