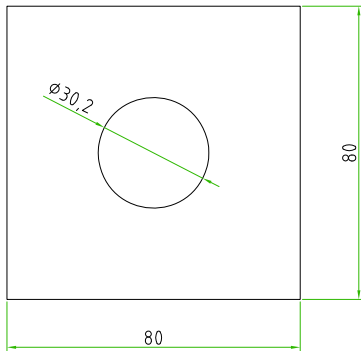
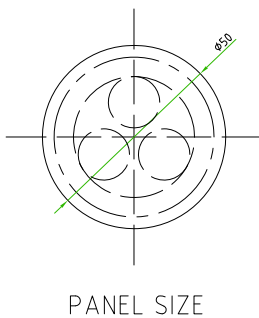
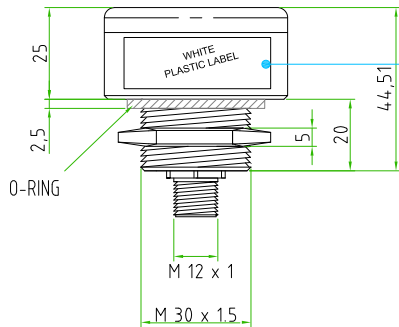
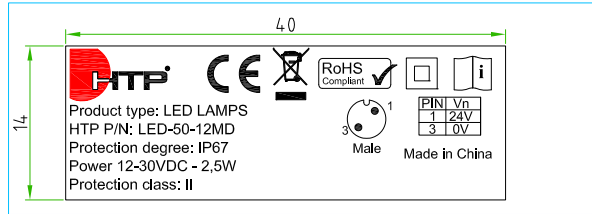
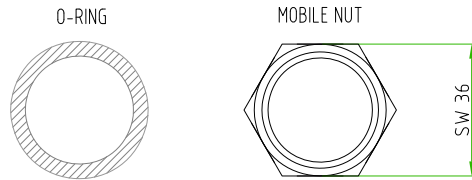
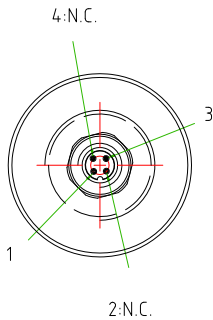


Rev.	Modify	Date	Signed	Approved

Rev.	Modify	Date	Signed	Approved

Rev.	Modify	Date	Signed	Approved
01	-	2016.10.04	SUGLIANI CIMMINO	CIMMINO
02	-	2018.12.10	SUGLIANI CIMMINO	CIMMINO
03	-	2021.03.17	SUGLIANI CIMMINO	CIMMINO



CIRCULAR LIGHTING FEATURES	TYPE	CIRCULAR LED Ø50 WITH M12 CONNECTOR
	CONNECTION	4 PIN M12 CONNECTOR
	COLOR TEMPERATURE	6000K
	LIFE TIME	AFTER 50000 HOUR LIGHT DECAY LESS THEN 30%
	OPERATING VOLTAGE	12-30V DC
	LIGHT COLOR	COOL WHITE
	LUMENS (25°C)	200lm
	CURRENT (12/18V)	0.208 A
	CURRENT (24 V)	0.104 A
	CURRENT (30/36V)	0.083A
	POWER	2.5W
	MATERIAL	PC Windows+ Alluminium housing
	IP degrees	IP67
	OPERATING ENVIRONMENT	STORAGE TEMPERATURE -40/70 °C
OPERATING ENVIRONMENT humidity : 90%	STORAGE TEMPERATURE -20/50 °C	

REV.01



PACKAGING:
SINGLY PACKED IN A CARTON BOX. IN EACH INTERNAL CARTON BOX MUST BE INSERTED THE DATA SHEET "USER MANUAL".
ON EACH INTERNAL CARTON BOX MUST BE APPLIED THE WHITE LABEL WITH PRODUCTION DATE CODE 5#####.
ON EACH CARTON BOX (INTERNAL AND EXTERNAL) MUST BE APPLIED THE WHITE LABEL WITH H.T.P. PART NUMBER LED-50-12MD

CUSTOMER APPROVAL

SIGNATURE	DATE

PLEASE SIGN AND RETURN

EACH LED LAMP MUST BE PACKED COMPLETE WITH FEMALE CAP(CAPS JB12-M)



Designer	SUGLIANI R.	Date	2016-10-04	Tolerance	±0.3	Units:	mm	Series	INDUSTRIAL LIGHTING	Drawing n. 1-1
Approved	CIMMINO L.	Date	2016-10-04	Scale	2:1	Size:	A4	Customer code:		

	DESCRIPTION INDUSTRIAL LIGHTING, CIRCULAR LED Ø50 WITH M12 CONNECTOR MALE 4POLES 12-30V DC,	H.T.P.PART NUMBER LED-50-12MD
--	---	----------------------------------